

Product Information

Analysis - Conductivity

**Conductivity Cell
 LF2653HT**



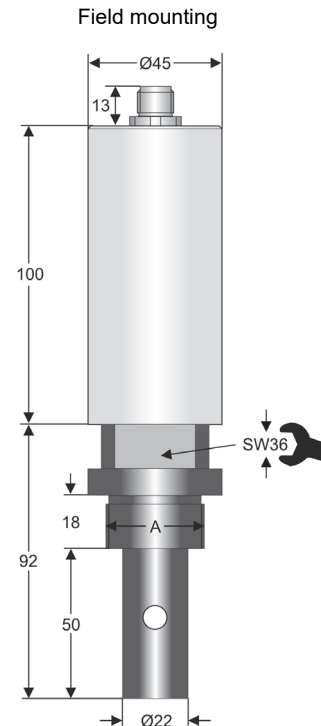
Characteristics

- 2-electrode conductive high temperature cell for pure- and ultra-pure water with pipe thread acc. to DIN ISO 228
- Measuring range 0..0.5 µS/cm up to 0..50 µS/cm

Technical data

Cell constant : C = 0.1 exact cell constant labeled on the type plate
 Operating temperature : 0..200 °C
 Process pressure : max. 20 bar
 Process material : stainless steel 1.4404 (316L), ceramic, Kalrez
 Electrical connection : 8 pole round connector plug
 Field mounting : M12x1, IP67
 Material : brass nickel plated
 Temperature measurement : integrated Pt1000 sensor DIN IEC751, Class A

Dimensions



Ordering code

1. 2. 3.
 LF - C0.1 - -

1. Model	2653HT	field mounting
2. Process connection	G ¾ A	
	G 1 A	
	G 1 ¼ A	
3. Options		
00	without option	
03	8 pole round connector plug SS-type	

Connection diagram see page Fehler: Verweis nicht gefunden

Additional accessories see page Fehler: Verweis nicht gefunden